



ENERGIPLUS - CLASS A WINDOW in wood/aluminum

Would you like to save on heating
as well?

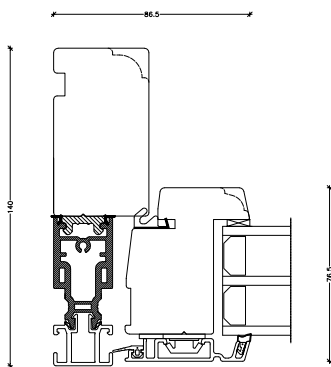
- then it is the right time to consider replacing your windows with one of the best windows on the market, UnikFunkis Energiplus Class A window. This way, you can ensure keeping warm throughout the year while significantly reducing your heating bill.



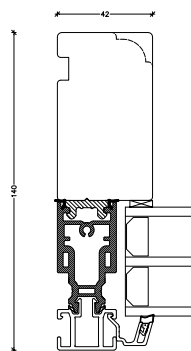
ENERGIPLUS - CLASS A SECTION DRAWINGS

Windows/Patio Doors

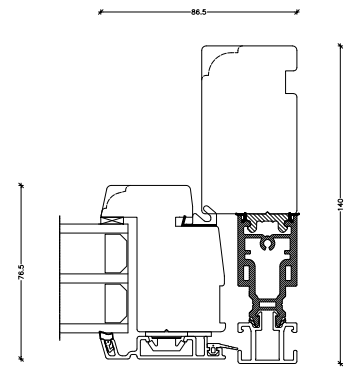
Standard frame depth 140 mm. Also available in 170 mm and 194 mm frame depth. Standard or country-style profiling on the frame and sash.



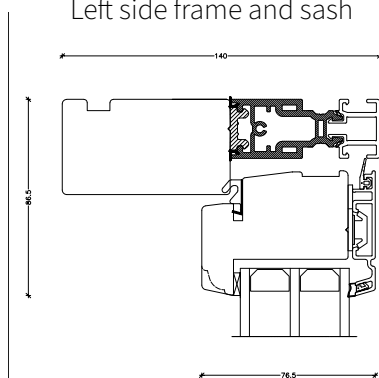
Left side frame and sash



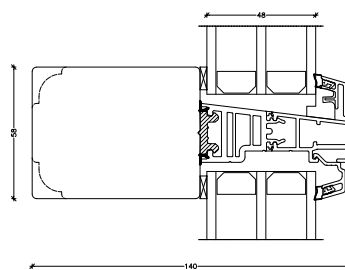
Left side frame



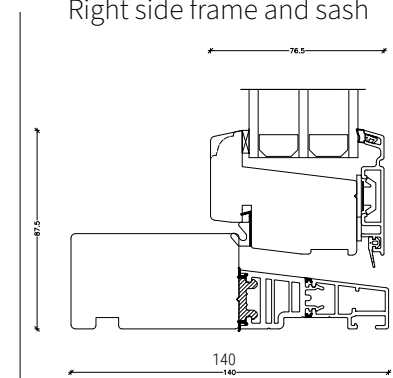
Right side frame and sash



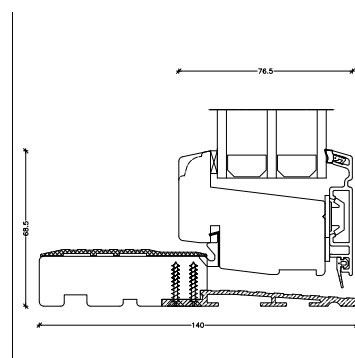
Top frame and sash



Horizontal mullion



Threshold and frame



Low threshold and frame -
Slim Line Patio door

For further technical details, please contact UnikFunkis.