



GLAZING BARS

19 mm

Beautiful and classic 19 mm glazing bars. The glazing bars are installed on each side of the glass, ensuring compliance with all insulation requirements.

Glazing bars are made of wood on the interior and aluminum on the exterior. They are available for wood and wood/aluminum elements. Our glazing bars are designed with dimensions like the original putty rebate.

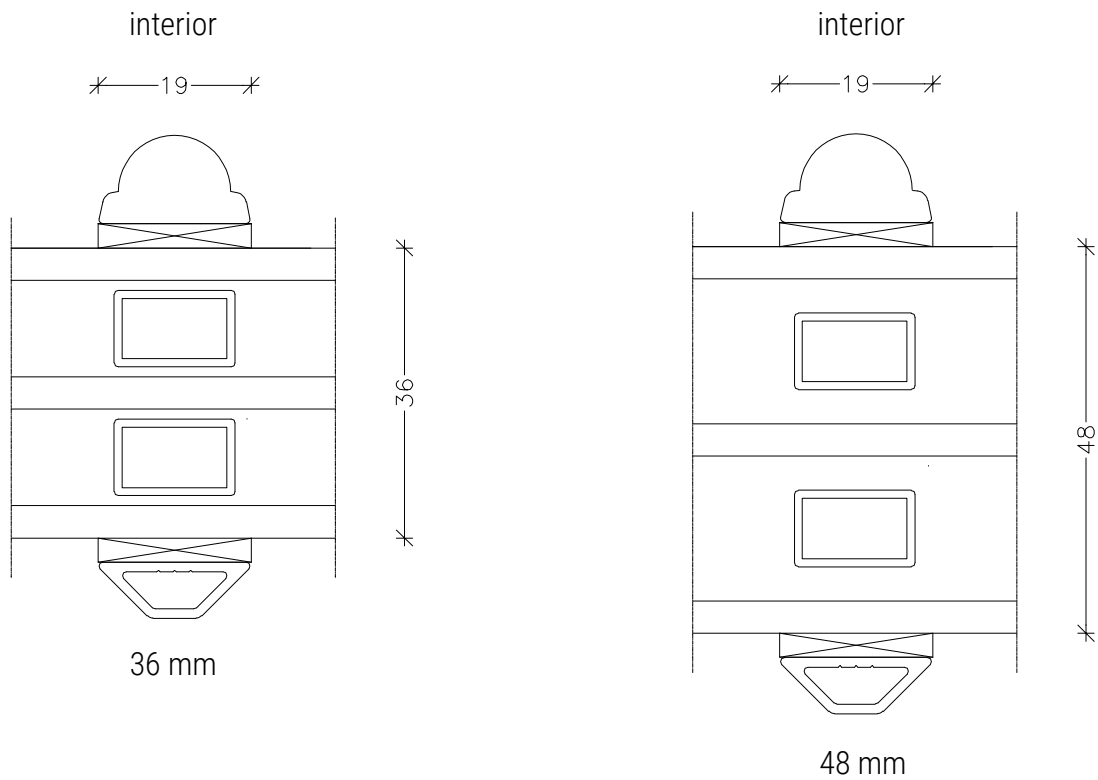
With the narrow 19 mm glazing bars, you get both an aesthetic appearance and ample natural light.

Glazing bars are commonly used for older and historically significant buildings, but they are also used for newer structures where a more charming and classic look is desired.

We also offer 19 mm glazing bars for special elements with curved cutouts on windows and doors.



19 mm Glazing bars



19 mm glazing bars are supplied as standard with a spacer between the glass panes.

Contact UnikFunkis for a competitive quote on your new glazing bars. We look forward to doing business with you.