



TILT & SLIDE DOORS in wood/aluminium EnergiPlus

More natural light and the best view

Tilt/slide doors provide you with the best view, brightening your home, while the extensive glass area makes the rooms appear larger. Additionally, tilt/slide doors also offer the opportunity for better ventilation and air circulation in the rooms.

New, modern, and architectural tilt/slide doors

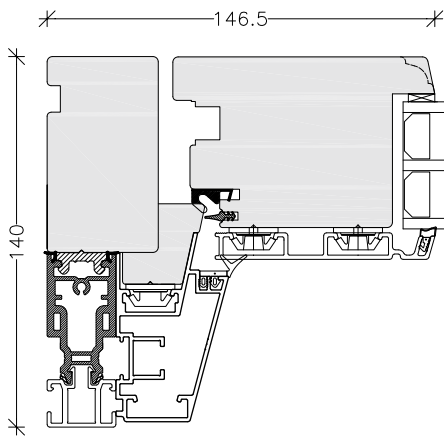
The tilt & slide door is particularly well-suited as a patio or terrace door. Its unique construction and high level of tightness also make it suitable for summer houses. The tilt & slide door can be opened in various ways, allowing for variations in heat exposure and ventilation of the residence.

The door sash is easy to open. The sliding function is used for regular door opening, while the tilt function is an effective ventilation option without annoying drafts from the floor. In the tilt position, only the upper part of the door tilts inward. Another advantage is, of course, that the door does not take up much space when open, unlike a regular patio door.

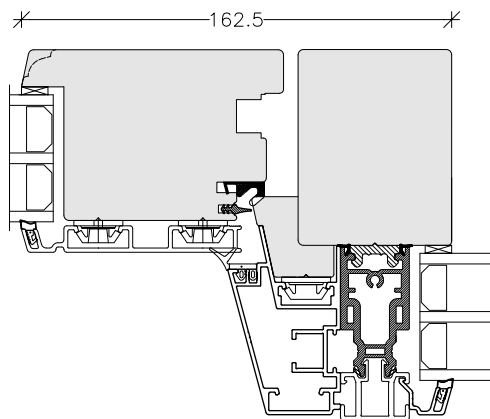
The tilt & slide door can be supplied as a single or double door without a mullion. It can be combined with our other types of elements.



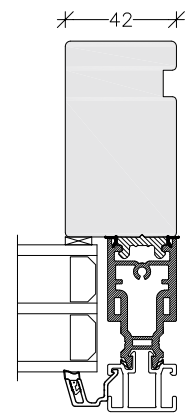
Tilt & slide door



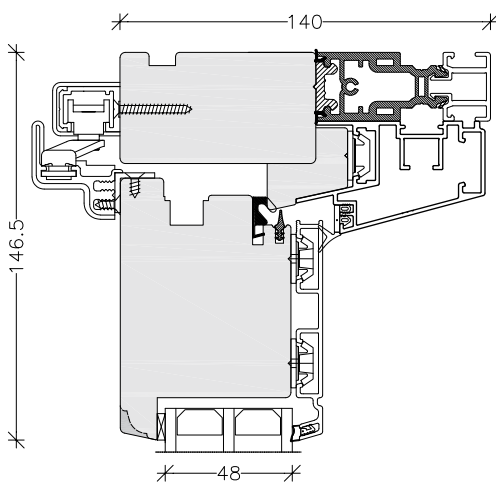
Left side frame



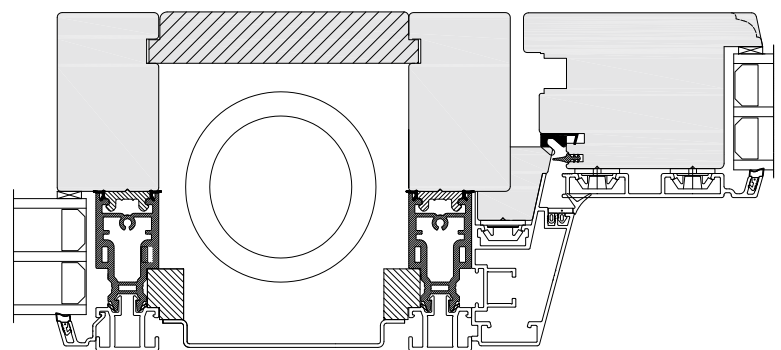
Vertical mullion



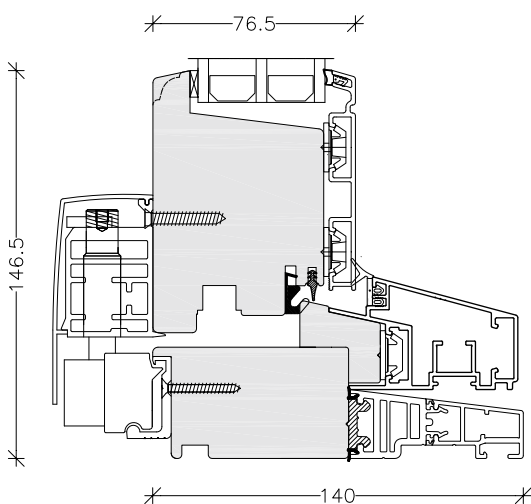
Right side frame



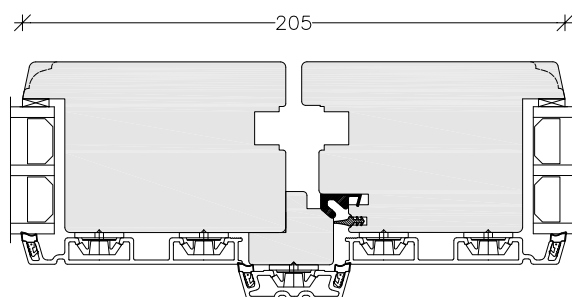
Top frame and sash



UnikFunkis door frames and side panels can be delivered divided, allowing for the insertion of supporting posts to reinforce the lintel.



Threshold and sash



UnikFunkis can also produce tilt & slide doors as double doors, and we can supply side panels up to 3.75 m in width.

Contact UnikFunkis for a competitive quote on your new tilt & slide doors. We look forward to doing business with you.