



LARGE FACADES WITHOUT DOUBLE FRAME

UnikFunkis Single post system

More light and more energy gain

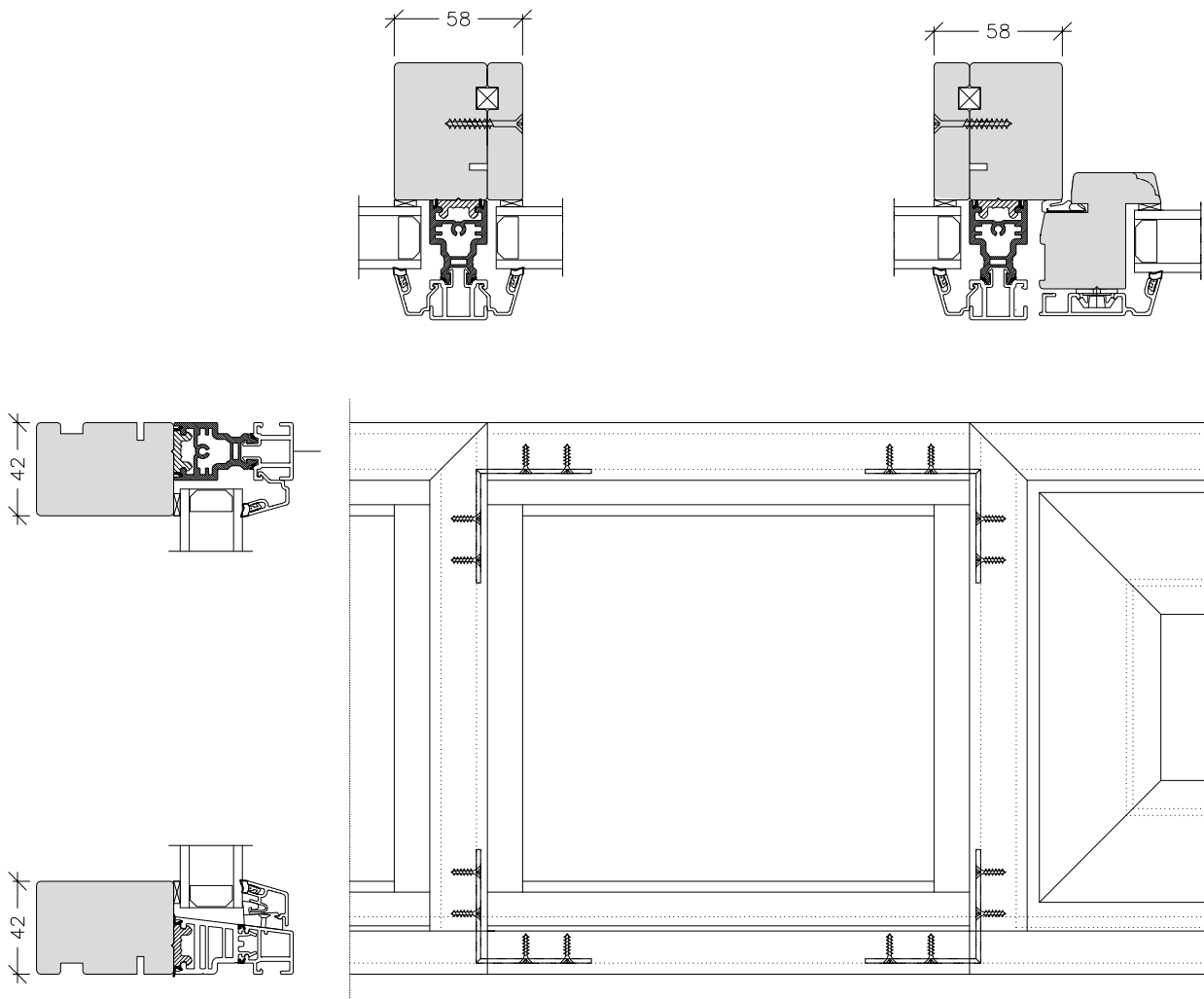
During the winter season, when the sunlight hours are limited, it becomes more relevant to maximize the utilization of the sun's warmth during the brief bright periods. This optimization not only enhances your quality of life and mood but also contributes to reducing heating bills. UnikFunkis' single post system is designed to effectively address these considerations.

New, modern and architectural single post systems

The single post system is ideal for larger window sections/light bands that traverse through a larger facade structure. At UnikFunkis, we can customize the single post system to meet your specific needs. Our products are typically fitted with energy-efficient glass with a warm edge as a standard. We can also provide various other types of glass constructions to fulfill your requirements for energy efficiency, thermal insulation, and/or soundproofing.



Easy and straightforward assembly and on-site installation.



The single post system is designed to be available with operable window sashes. Additionally, the single post system are manufactured in various frame depths: 116 mm - 140 mm - 170 mm - 194 mm.

UnikFunkis' primary task is to ensure you receive thorough and professional guidance when you are in need of new windows. We aim to make sure that you are well-informed about the numerous products and options available before making your decision.