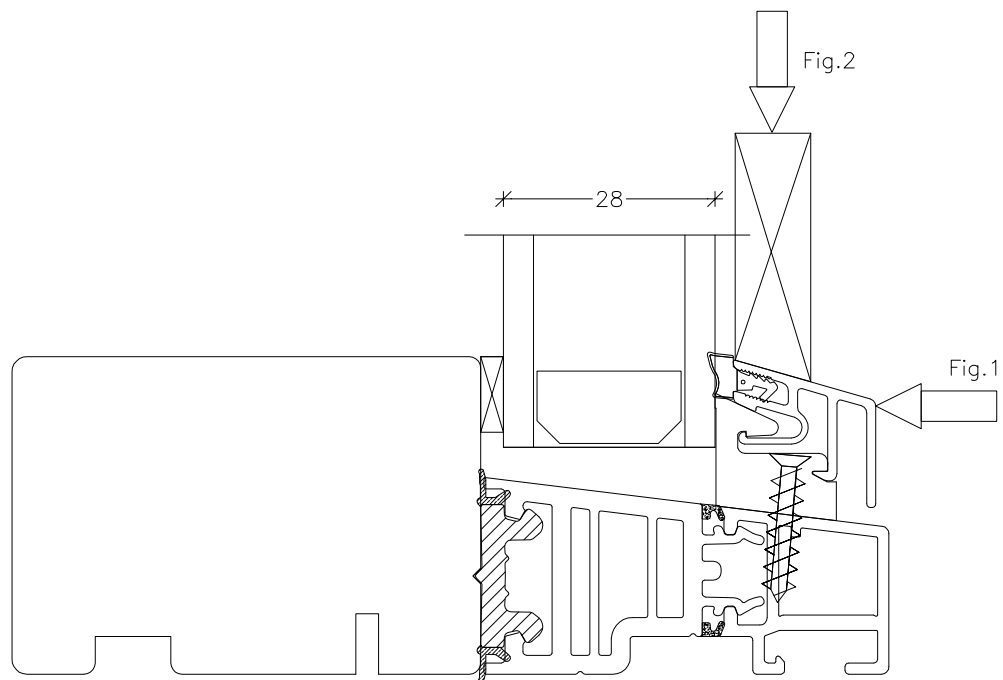


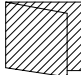
1. To install the glazing bead, Fig. 1: tap in the direction of the arrow.
2. To remove the glazing bead, place a block as shown in Fig. 2 and tap in the direction of the arrow.



**INFO:**

When installing glazing beads, spray the glass and rubber sealing with soapy water.

When both removing and attaching, you must tap the entire length of the glazing bead before it loosens or attaches.

Subject: Sectional detail - bottom frame Mounting glazing bead Removing glazing bead		<b>Unik</b>  <b>Funkis</b> VINDUER & DØRE A/S Livøvej 10b 8800 Viborg tlf. 86621888	
TEGN.NR.:	SIGN.: DDK		
DATO: 06-12-2017	REV.NR.: 1	MÅL.: 1.1	